

OPS-2050 Series

Open Pluggable Specification (OPS) Compliant
Digital Signage Player
with Intel® Skylake H-Series Processors



- 6th Generation Intel® Skylake H-Series Processors
- Intel® QM170 Express Chipset
- 2 x DDR4 SO-DIMM
- 2x HDMI2.0 (1x on front), 2 x DP (1x on front) for video output
- Triple display support
- 2x GbE LAN on front for Ethernet
- 6x USB3.0 (4x on front), 2x USB2.0 for peripheral connection
- 1x slim type 2.5" SATA HDD / SSD slot on front for storage
- 1x M.2 Key A, 1x M.2 Key B for storage & wireless expansion
- Wide voltage range power input: 12V ~ 19V



Product Overview

OPS-2050 Series is an OPS-Compliant media player for digital signage application. This embedded hardware platform boasts the 6th Generation Intel® Skylake H-Series processors, integrated with Intel® HD Graphics 530 GPU and therefore it is stunning by greatly enhanced graphics performance and energy efficiency to respond to the requirements for heavy video / image applications.

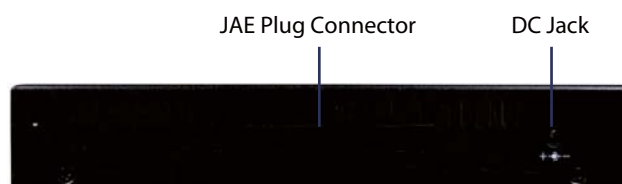
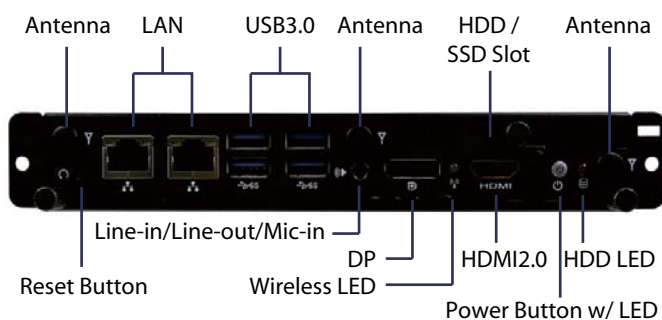
Another distinguishing feature is that OPS-2050 Series is equipped with the latest-version HDMI 2.0 port with 4K resolution, higher data rate, wider bandwidth, ultra-wide display support and can satisfy increasing requirements for high definition and large screen size.

Technical Information

CPU Support
Intel® Core™ i7-6820HQ (Quad Core, 8M Cache, up to 3.60 GHz, FCBGA1440, 45W TDP)
Intel® Core™ i5-6440HQ (Quad Core, 6M Cache, up to 3.50 GHz, FCBGA1440, 45W TDP)
Chipset
Intel® QM170
Memory
2x DDR4 2133 SO-DIMM up to 32GB
Graphic Controller
Intel® HD Graphics 530
Display Interfaces
2x HDMI2.0 (1x on front, 1x by JAE, 3840 x 2160 @ 60Hz)
2x DP (1x on front, 1x by JAE, 4096 x 2304 @ 60Hz)
Multiple Display
Triple (only one output supported between 2 on-front ports)
Audio Chipset
Realtek ALC662
Audio Interfaces
1x Line-in/Line-out/Mic-in (on front)
1x Line-out (by JAE)
Ethernet
2x GbE LAN (RJ-45 on front, 1x Intel® I219, 1x Intel® I210)
USB
6x USB3.0 (4x Type A on front, 2x by JAE)
2x USB2.0 (by JAE)
Serial Ports
1x UART (by JAE)
Storage & Expansion
1x 2.5" SATA HDD / SSD (Slim type slot on front)
1x M.2 Key A slot (default Wi-Fi module)
1x M.2 Key B slot (default for Storage / 3G / 4G module)
1x microSIM card holder

Power Supply
Connector: JAE Plug Connector (on rear)
DC Jack (on rear, optional adapter required)
Input Voltage: DC 12V ~ 19V
Firmware
BIOS: AMI uEFI BIOS w/ 128Mb SPI Flash
Watchdog: Programmable WDT to generate system reset event
H/W Monitor: Voltages, Temperatures
Real Time Clock: Chipset integrated RTC
TPM: Supported (Infineon SLB 9635 TPM 1.2)
iAMT: Supported
System Control & Monitoring
1x Power Button w/ LED (on front)
1x Reset Button (on front)
1x Storage LED (on front)
1x Wireless LED (on front)
Cooling
1x CPU Smart Fan
1x System Smart Fan (by JAE)
OS Support
Windows 7, Windows 8, Windows 10, Linux
Construction
Metal Chassis
Dimensions (W x D x H)
200 x 119 x 30 mm / 7.87" x 4.69" x 1.18"
Weight
1000 g / 2.20 lb
Environmental Characteristics
Operation Temp.: 0°C ~ 45°C / 32°F ~ 113°F
Storage Temp.: -20°C ~ 80°C / -4°F ~ 176°F
Humidity: 0% ~ 90%
Mounting
OPS-slot Mount
Certification
CE, FCC Class A

Front & Rear I/O Panels



• Ordering Information

Article	Description
OPS-2051	Intel® Core™ i7-6820HQ Processor, Intel® QM170 Chipset, 2x DDR4 SO-DIMM, 2x HDMI2.0, 2x DP, 2x GbE, 6x USB3.0, 2x USB2.0, 1x 2.5" SATA HDD / SSD, 1x M.2 Key A, 1x M.2 Key B
OPS-2053	Intel® Core™ i5-6440HQ Processor, Intel® QM170 Chipset, 2x DDR4 SO-DIMM, 2x HDMI2.0, 2x DP, 2x GbE, 6x USB3.0, 2x USB2.0, 1x 2.5" SATA HDD / SSD, 1x M.2 Key A, 1x M.2 Key B