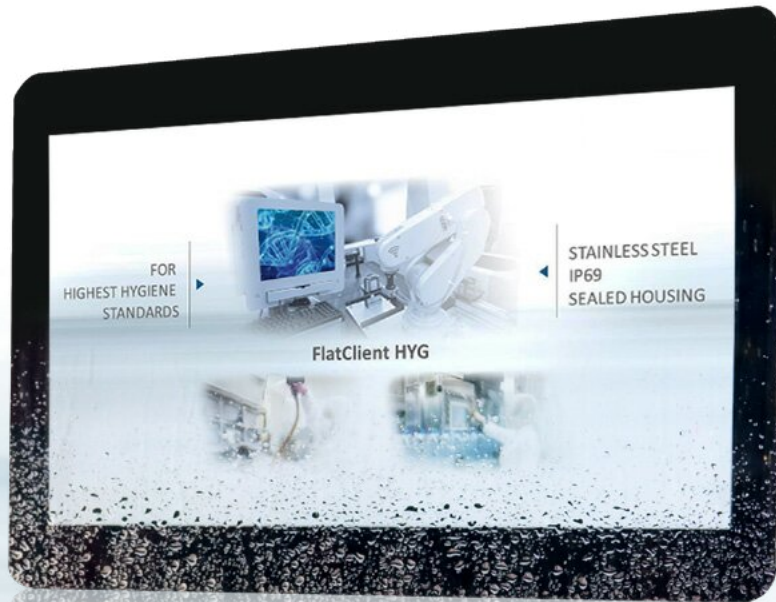


# FlatClient HYG

---



## For Environments with High Hygiene and Extended Sealing Requirements

- ▶ Designed for high hygiene standards following EHEDG guidelines
- ▶ Stainless steel housing with IP69K protection
- ▶ Scalable performance from Intel Atom® to Intel® Core™ i5

# FlatClient HYG

The new FlatClient HYG is designed for use in applications with highest requirements in hygiene, e.g. food processing and pharmaceutical industry following EHEDG guidelines. With a completely sealed stainless steel housing and IP69K protection the FlatClient HYG is highly resistant to detergents and prepared for easy cleaning and wash down. The 21.5" Panel PC offers PCAP touch or protection glass as well as multiple front glass options, e.g. UV protection, IR protection, anti-glare and anti-reflexion or optional high brightness displays. Display sizes from 15.6" up to 23.8" with 1366x768 and 1920x1080 FullHD resolution in 16:9 or 16:10 wide format are also available. The FlatClient HYG series is available as 'Eco line' with Intel Atom® processors or as 'PRO line' featuring Intel® Core™ i5 performance.

Both lines allow easy integration with multiple IO extensions, e.g. serial ports, Profibus, CAN bus and can be powered either with 12-30 VDC or optional with PoE.

Mounting options with support arm or VESA and operation in landscape or portrait mode guarantee utmost flexibility.

Integrated WiFi and RFID provide seamless connectivity and access control.

The design of the FlatClient HYG models can be customized to meet OEM requirements, for example by freely choosing the color of the front and back of the devices and branding with individual logos.

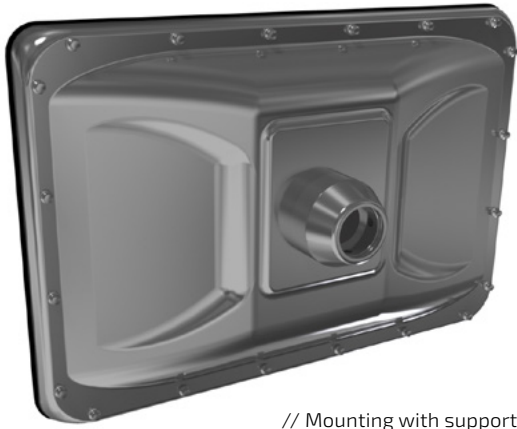
## ▶ TECHNICAL INFORMATION

	ECO Line	PRO Line
<b>DISPLAY SIZE</b>	21.5" landscape or portrait mode	21.5" landscape or portrait mode
<b>RESOLUTION</b>	1920x1080 FullHD	1920x1080 FullHD
<b>BRIGHTNESS</b>	300 cd/m <sup>2</sup>	300 cd/m <sup>2</sup>
<b>VIEWING ANGLE</b>	H178° / V178°	H178° / V178°
<b>DIMENSIONS</b>	542.1 mm x 366.1 mm x 74 mm (excluding connector & mounting bracket)	542.1 mm x 366.1 mm x 74 mm (excluding connector & mounting bracket)
<b>WEIGHT</b>	~10,5 kg	~10,5 kg
<b>LED BACKLIGHT</b>	Life time ≥ 50.000 h	Life time ≥ 50.000 h
<b>FRONT OPTIONS</b>	Projected capacitive touch (PCAP)/safety glass/PMMA	Projected capacitive touch (PCAP)/safety glass/PMMA
<b>MOUNTING</b>	support arm on 48mm tube or VESA 100 with M12 connector	support arm on 48mm tube or VESA 100 with M12 connector
<b>PROCESSOR</b>	Intel® Celeron® Quad Core™ J1900 Intel® Pentium® Quad Core™ N4200	Intel® Core™ i5-6300U Intel® Core™ i5-7300U
<b>RAM</b>	4 GByte DDR3 SO-DIMM	4 GByte DDR4 SO-DIMM
<b>STANDARD INTERFACES</b>	Support arm: GbE, USB 3.0, PWR (~2,8 m cable) VESA 100: GbE, USB 3.0, PWR	Support arm: GbE, USB 3.0, PWR (~2,8 m cable) VESA 100: GbE, USB 3.0, PWR
<b>WIRELESS INTERFACES*</b>	RFID, WiFi	RFID, WiFi
<b>POWER SUPPLY</b>	12-30 VDC or PoE*	12-30 VDC or PoE*
<b>EMC</b>	EN55022 class B	EN55022 class B
<b>CERTIFICATIONS</b>	CE, UL	CE, UL
<b>ALTITUDE</b>	Up to 3.000 m (10.000 ft)	Up to 3.000 m (10.000 ft)
<b>SHOCK ACC. TO EN 60068-2-27</b>	15 G 11 ms duration (half sine)	15 G 11 ms duration (half sine)
<b>VIBRATION ACC. TO EN 60068-2-6</b>	10-500 Hz: 1G/3 axis	10-500 Hz: 1G/3 axis
<b>OPERATING TEMPERATURE</b>	0 °C to +50 °C	0 °C to +50 °C
<b>PROTECTION CLASS</b>	support arm: IP69K VESA: IP67	support arm: IP69K VESA: IP67
<b>HUMIDITY</b>	10 %-90 % @ 39 °C, non condensing	10 %-90 % @ 39 °C, non condensing
<b>MTBF</b>	> 50.000 h	> 50.000 h

\*Optional

► TECHNICAL INFORMATION

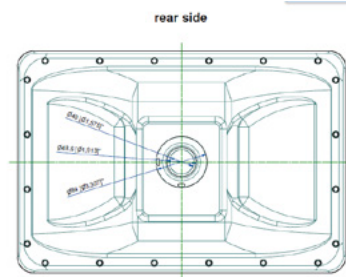
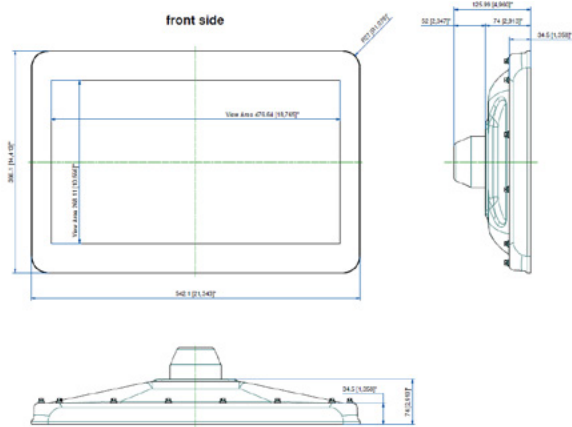
	ECO Line	PRO Line
<b>VERIFIED OS</b>	Intel® Celeron® Quad Core™ J1900: Windows 7, Windows 10 IoT, Linux Intel® Pentium® Quad Core™ N4200: Windows 10 IoT, Linux	Intel® Core™ i5-6300U: Windows 7, Windows 10 IoT, Linux Intel® Core™ i5-7300U: Windows 10 IoT, Linux
<b>RoHS COMPLIANT</b>	yes	yes
<b>COOLING</b>	passive cooling, fanless	passive cooling, fanless
<b>OPTIONS (FURTHER OPTIONS ON REQUEST)</b>	<ul style="list-style-type: none"> <li>- high brightness display</li> <li>- other display sizes and resolutions</li> <li>- Additional USB, GbE, DP, DVI, ...</li> <li>- other Intel® CPUs/Platforms on request</li> <li>2 ... 8 GByte RAM</li> <li>32 ... 512 GByte mSATA SSD</li> <li>- 2x COM (RS232, RS422, RS485)</li> <li>Fieldbus (e.g. CAN, Profibus, ...)</li> </ul>	<ul style="list-style-type: none"> <li>- high brightness display</li> <li>- other display sizes and resolutions</li> <li>- Additional USB, GbE, DP, DVI, ...</li> <li>- other Intel® CPUs/Platforms on request</li> <li>2 ... 16 GByte RAM</li> <li>32 GByte ... 1024 GByte (1 TByte) mSATA SSD</li> <li>- 2x COM (RS232, RS422, RS485)</li> <li>Fieldbus (e.g. CAN, Profibus, ...)</li> </ul>



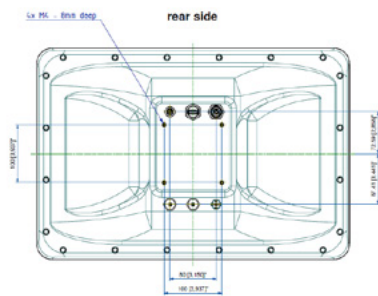
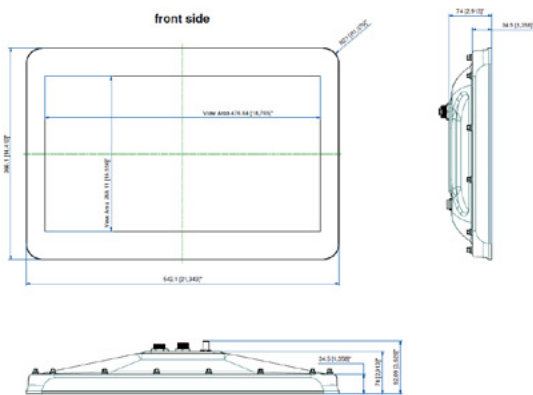
// Mounting with support arm on 48 mm tube



// Mounting with VESA 100 with M12 connector



// Dimensions support arm



// Dimensions VESA mounting