

QDSP-400 Series

0.6-Liter Mini Box PC

with Intel® Skylake / Kaby Lake U-Series Processors



- Intel® Skylake / Kaby Lake U-Series Processors (15 W TDP)
- 2x DDR4 SO-DIMM
- 1x HDMI, 1x DP for video output
- 1x GbE LAN for Ethernet
- 4x USB 3.0, 1x RS232/422/485 for peripheral connection
- 1x 2.5" SATA HDD / SSD for storage
- 1x mPCIe for expansion
- An IR receiver on front for infrared remote control
- 0.6-liter palm-sized volume



Product Overview

QDSP-400 Series is a Box PC enclosed within a palm-sized aluminum chassis. It can easily fit into any space environment. Powered by 6th / 7th Generation Intel® Skylake / Kaby Lake ULT processors, it delivers excellent processing and graphics performance to applications requiring intense data throughput, especially for video / image data.

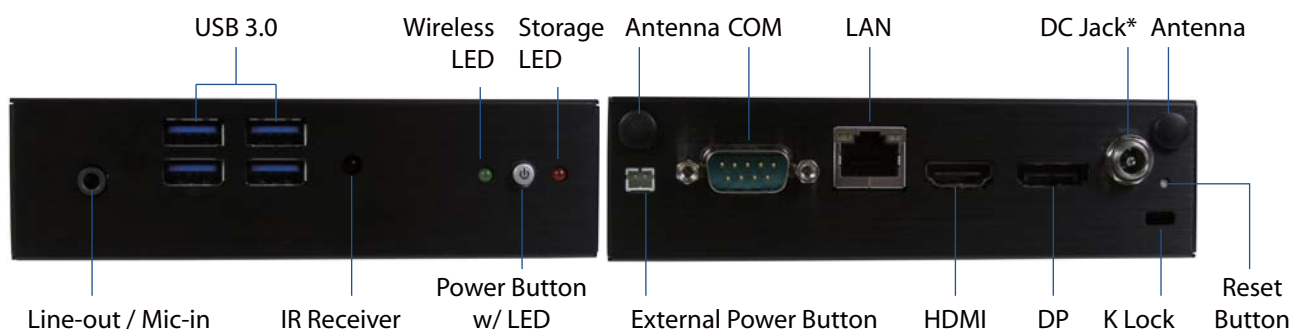
Having one LAN port on rear, one mPCIe socket, one HDMI port, one DP port, four USB 3.0 ports and one COM port, QDSP-400 Series provides flexible network connection and peripheral integration.

In addition, it has an IR receiver on front panel and allows users to remotely control the box PC itself or the content that is displayed on connected screens.

Technical Information

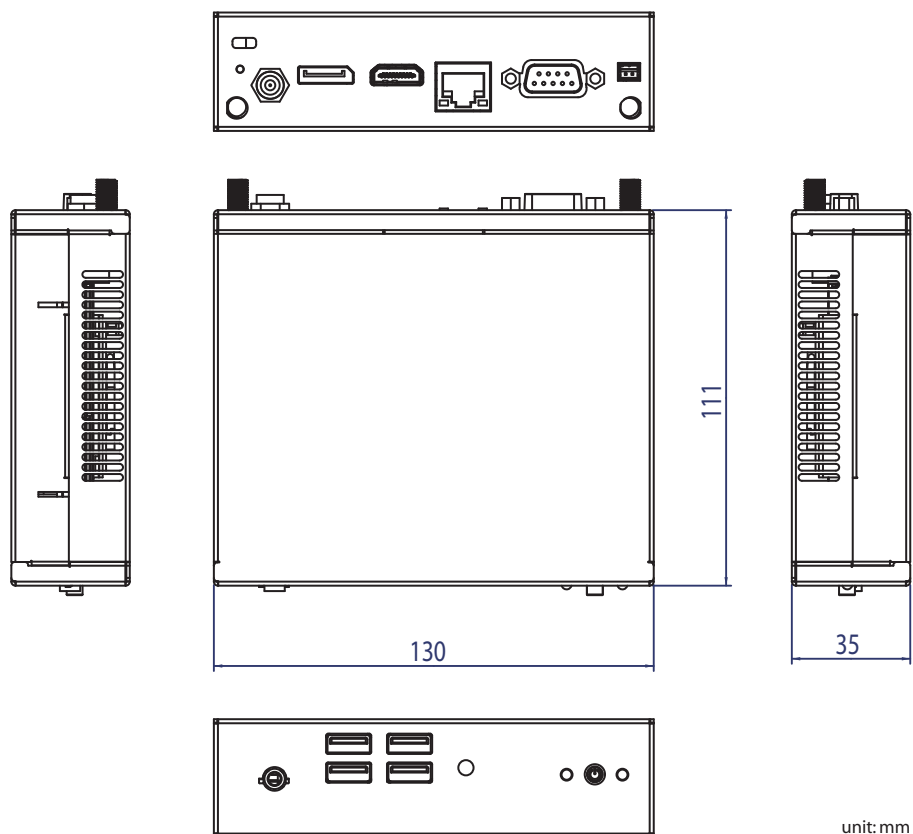
CPU Support	<ul style="list-style-type: none"> Intel® Skylake ULT Processor, Core™ i5-6200U (Dual Core, 3M Cache, up to 2.80 GHz, FCBGA1356, 15 W TDP) Intel® Skylake ULT Processor, Core™ i5-6300U (Dual Core, 3M Cache, up to 3.00 GHz, FCBGA1356, 15 W TDP) Intel® Skylake ULT Processor, Celeron® 3955U (Dual Core, 2M Cache, 2.00 GHz, FCBGA1356, 15 W TDP) Intel® Kaby Lake ULT Processor, Core™ i5-7200U (Dual Core, 3M Cache, up to 3.10 GHz, FCBGA1356, 15 W TDP) Intel® Kaby Lake ULT Processor, Celeron® 3865U (Dual Core, 2M Cache, 1.80 GHz, FCBGA1356, 15 W TDP) Intel® Kaby Lake ULT Processor, Core™ i3-7100U (Dual Core, 3M Cache, 2.40 GHz, FCBGA1356, 15 W TDP) Intel® Kaby Lake ULT Processor, Celeron® 3965U (Dual Core, 2M Cache, 2.20 GHz, FCBGA1356, 15 W TDP)
Memory	<ul style="list-style-type: none"> 2x DDR4 1866/2133 SO-DIMM up to 32 GB (3955U model only) 2x DDR4 2133 SO-DIMM up to 32 GB (other models)
Graphic Controller	<ul style="list-style-type: none"> Intel® HD Graphics 510 (Skylake Celeron® model) Intel® HD Graphics 520 (Skylake Core™ i models) Intel® HD Graphics 610 (Kaby Lake Celeron® model) Intel® HD Graphics 620 (Kaby Lake Core™ i models)
Display Interfaces	<ul style="list-style-type: none"> 1x HDMI (on rear, 4096 x 2160 @ 24 Hz) 1x DP (on rear, 4096 x 2304 @ 60 Hz)
Multiple Display	Dual
Audio Chipset	Realtek ALC662
Audio Interfaces	1x Line-out / Mic-in (on front)
Ethernet	1x GbE LAN (RJ45 on rear, Intel® I219)
USB	4x USB 3.0 (Type A on front)
Serial Ports	1x RS232/422/485 (DB9 on rear)
Storage & Expansion	<ul style="list-style-type: none"> 1x 2.5" SATA HDD / SSD 1x mPCIe (full size) 1x SIM Cage (by cable, optional)
Power Supply	<ul style="list-style-type: none"> Connector: Lockable DC Jack (on rear, configuration 1) 2-pin Phoenix Connector (on rear, configuration 2) Input Voltage: DC 12 V ~ 19 V (DC Jack) DC 24 V (Phoenix Connector) Power Adapter: AC to DC, 100 V ~ 240 V
Firmware	<ul style="list-style-type: none"> BIOS: AMI uEFI BIOS w/ 128 Mb SPI Flash Watchdog: Programmable WDT to generate system reset event H/W Monitor: Input & Core Voltages, CPU & System Temperatures Real Time Clock: Processor integrated RTC TPM: Optional (Infineon SLB 9665 TPM 2.0) iAMT: Supported only for i5-6300U model
System Control & Monitoring	<ul style="list-style-type: none"> 1x Power Button w/ LED (on front) 1x External Power Button (on rear) 1x Reset Button (on rear) 1x IR Receiver (on front) 1x Storage LED (on front) 1x Wireless LED (on front)
Cooling	1x CPU Smart Fan
OS	Windows 10, Linux
Construction	Aluminum Chassis
Dimensions (W x D x H)	130 mm x 111 mm x 35 mm / 5.12" x 4.37" x 1.38"
Weight	400 g / 0.97 lb
Environmental Characteristics	<ul style="list-style-type: none"> Operation Temp.: 0 °C ~ 50 °C / 32 °F ~ 122 °F Storage Temp.: -20 °C ~ 80 °C / -4 °F ~ 176 °F Humidity: 0 % ~ 90 %
Mounting	VESA Mount
Certification	CE, FCC Class A

Front & Rear I/O Panels



(* 2-pin Phoenix connector alternatively for partial models)

Mechanical Dimensions



Ordering Information

Article	Description
QDSP-400	Intel® Core™ i5-6200U, 2x DDR4 SO-DIMM, 1x HDMI, 1x DP, 1x GbE, 4x USB 3.0, 1x RS232/422/485, 1x 2.5" SATA HDD / SSD, 1x mPCIe, w/o iAMT, DC Jack (DC 12 V ~ 19 V)
QDSP-401	Intel® Core™ i5-6300U, 2x DDR4 SO-DIMM, 1x HDMI, 1x DP, 1x GbE, 4x USB 3.0, 1x RS232/422/485, 1x 2.5" SATA HDD / SSD, 1x mPCIe, w/ iAMT, DC Jack (DC 12 V ~ 19 V)
QDSP-402	Intel® Celeron® 3955U, 2x DDR4 SO-DIMM, 1x HDMI, 1x DP, 1x GbE, 4x USB 3.0, 1x RS232/422/485, 1x 2.5" SATA HDD / SSD, 1x mPCIe, w/o iAMT, DC Jack (DC 12 V ~ 19 V)
QDSP-410	Intel® Core™ i5-7200U, 2x DDR4 SO-DIMM, 1x HDMI, 1x DP, 1x GbE, 4x USB 3.0, 1x RS232/422/485, 1x 2.5" SATA HDD / SSD, 1x mPCIe, w/o iAMT, DC Jack (DC 12 V ~ 19 V)
QDSP-411	Intel® Celeron® 3865U, 2x DDR4 SO-DIMM, 1x HDMI, 1x DP, 1x GbE, 4x USB 3.0, 1x RS232/422/485, 1x 2.5" SATA HDD / SSD, 1x mPCIe, w/o iAMT, DC Jack (DC 12 V ~ 19 V)
QDSP-412	Intel® Core™ i3-7100U, 2x DDR4 SO-DIMM, 1x HDMI, 1x DP, 1x GbE, 4x USB 3.0, 1x RS232/422/485, 1x 2.5" SATA HDD / SSD, 1x mPCIe, w/o iAMT, DC Jack (DC 12 V ~ 19 V)
QDSP-413	Intel® Celeron® 3965U, 2x DDR4 SO-DIMM, 1x HDMI, 1x DP, 1x GbE, 4x USB 3.0, 1x RS232/422/485, 1x 2.5" SATA HDD / SSD, 1x mPCIe, w/o iAMT, DC Jack (DC 12 V ~ 19 V)
QDSP-414	Intel® Core™ i5-7200U, 2x DDR4 SO-DIMM, 1x HDMI, 1x DP, 1x GbE, 4x USB 3.0, 1x RS232/422/485, 1x 2.5" SATA HDD / SSD, 1x mPCIe, w/o iAMT, Phoenix Connector (DC 24 V)

Optional Accessories

Product Name	Description
VESA Mounting Kit	Hole pattern: 100 mm x 100 mm & 75 mm x 75 mm