

EAI-1200

Hailo-8™ M.2 AI Acceleration Module (Bundling SKU)

NEW



Features

- 26 TOPS delivered by Hailo-8 VPU
- M.2 2242 with optional 2280 extensions
- -40~65°C operating temp. with optional heatsink
- Typical 2.5W low power consumption
- Rich AI Development Toolkits for Runtime SDK integration, Model build, Model Convert, and Pre-trained AI application

HAILO EdgeAI SDK

CE FC

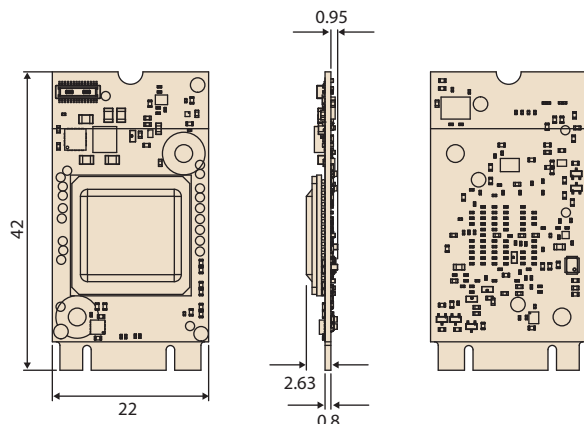
Specifications

		EAI-1200-00A1
Processor	AI Accelerator	One Hailo-8™ VPU
	INT8 Peak Performance	26 TOPS
Signal Interface	PCI Express	PCIe Gen3 x2 (up to 16 Gbs) *Compatible to PCIe x1
Power	Power Consumption	Typical 2.5W, Max.5W among Hailo supported models
Operating	Temperature	-40 ~ 85°C (Throttling), with 0.7m/s air flow -40 ~ 65°C (Non-Throttling), with 0.7m/s air flow*
	Humidity	40 °C @ 85% relative humidity (non-condensing)
Thermal Solution	Cooling	Heatsink (option)
Physical	Form Factor	M.2 2242 (Key B+M)
	Dimensions	22mm x 42mm x 2.63mm
	Power Range	3.3V±5%
Software Support	Windows	Windows 11,10 64 bit
	Linux	Ubuntu 22.04, 20.04 LTS
	Framework	Support TensorFlow, TensorFlow Lite, ONNX, Keras, Pytorch by Dataflow complier converted
System Support	CPU platform	X86 or ARM based

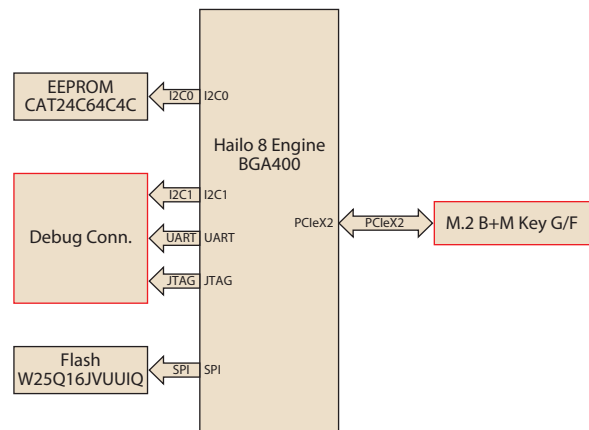
*Note: According to operating temperature tests performed with EAI-1200 optional heatsink

Dimensions

Unit: mm



Block Diagram



Edge AI SDK

— To create a reliable & efficient development environment —

Effortlessly run AI inference



Inference Benchmark Tool

- No-code GUI utility
- Validated vision AI models
- Real-time workload monitoring

Remotely manage AI updates at scale



Inference Deployment Platform

- Visualized central MGMT platform
- OTA update for AI containers/apps
- RESTful APIs for MLOps integration

Efficiently start to implement AI



Inference Runtime SDK

- Compatible ubuntu & drivers
- Essential & compatible SDKs
- Single installer for drivers & SDKs

Effectively get instant services



Global Customer Support

- System reliability certification
- Inference computing enablement
- Edge-to-cloud scalability collaboration

Find More Information about [Edge AI SDK](#)

Hailo AI Software Suite

— To easily build model, convert model, implement pre-trained example —

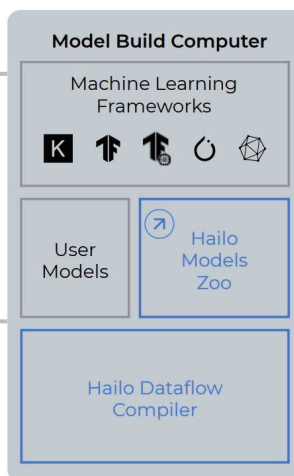
Model Zoo

A variety of common & state-of-the-art pretrained and retrainable models in TensorFlow & ONNX

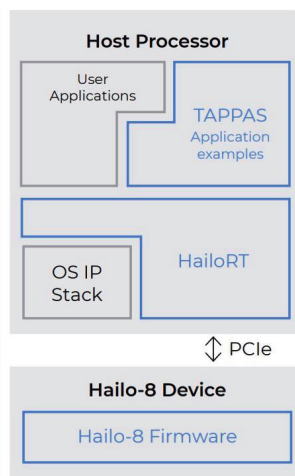
Dataflow Compiler

A software toolset for optimization & translation of trained models to Hailo-8 format

Model Build Environment



Runtime Environment



TAPPAS

A set of full application examples, implementing pipeline elements and pre-trained AI tasks

Hailo RT

Production-grade, precompiled, runtime software for the host processor

Find More Information about [Hailo AI Software Suite](#)

Bundling Information

Part Number	Description
EAI-1200-00A1	M.2 key B+M 1x Hailo-8 AI module for Bundling

Optional items

Part Number	Description
1970005996N001	Heatsink for EAI-1200
1960103315N020	2280 extensions for EAI-1200

Ordering Information

Part Number	Description
968DD00320	M.2 key M 1x Hailo-8 AI module
968DD00322	M.2 key A+E 1x Hailo-8 AI module
968DD00323	M.2 key B+M 1x Hailo-8 AI module