

AIM-65

8" Industrial-Grade Tablet with Intel® Atom™ Processor Aimed at Vertical Applications



DeviceOn Windows Intel partner

Features

- Equipped with DeviceOn/iService software for remote device management
- Intel® Atom™ processor with Windows 10 IoT operating system
- Compact and lightweight design
- 8" LCD with 400-nit brightness, 1920 x 1200 resolution
- Corning® Gorilla® Glass 3 touchscreen supports gloved and stylus operation
- IP65-rated protection from water and dust and 4-ft drop tolerance
- LTE, WLAN, Bluetooth, NFC, and GPS capabilities
- Optional peripherals include 1D/2D barcode scanner, LAN+COM, UHF RFID, and MSR modules
- Multi-bay charging and docking stations ensure easy installation in diverse environments

Introduction

AIM-65 is an industrial-grade tablet with a swappable battery that supports up to 8 hours of operation to facilitate diverse vertical applications. Equipped with IP65-rated protection from water and dust ingress, AIM-65 is suitable for indoor and outdoor installation. In addition to Wi-Fi/LTE capabilities that enable mobile computing, AIM-65 can be integrated with additional optional peripherals including a 1D/2D barcode scanner, LAN+COM, UHF RFID, and MSR modules. This makes AIM-65 ideal for a wide range of operations in the manufacturing, warehouse, retail, and field service industries.

Moreover, AIM-65 is equipped with DeviceOn/iService software, which is a next-generation unified device management solution based on the WISE-DeviceOn platform. With support for batch operations and multi-device control, DeviceOn/iService enables easy device configuration and deployment for convenient remote device management.

Specifications

| | | |
|--------------------------|------------------------|--|
| System | Processor | Intel® Atom™ x5-Z8350 quad-core, 1.6 GHz (1.44 GHz) |
| | Memory | 4 GB LPDDR3 |
| | Operating System | Windows 10 IoT Enterprise, Android 6.0 |
| Storage | eMMC | 64 GB |
| | Micro SD | Supports up to 200 GB |
| Display | Type | 8" IPS LCD |
| | Resolution | WUXGA 1920 x 1200 |
| | Brightness | 400 cd/m ² |
| | Touch Type | 10-point multi-touch PCAP touch control |
| | Glass Type | Corning® Gorilla® Glass 3 |
| Communication | WLAN | IEEE 802.11 a/b/g/n/ac |
| | Bluetooth | Bluetooth® v4.2 |
| | WWAN (Optional) | 4G LTE multi-device broadband |
| Connectivity | NFC | 13.56 MHz, compatible with ISO15693, ISO14443A, ISO 14443B, FeliCa |
| | Standard I/O | 1 x Micro HDMI, 1 x micro USB 2.0 (host and charging), 1 x combo audio jack, 1 x SIM card reader, 1 x micro SD card reader |
| | Extended I/O | 1 x AIM extension 14-pin pogo connector: 1 x USB 2.0, 1 x 2-wire UART, 5V/1A power |
| | Docking | 1 x AIM docking 16-pin pogo connector: 1 x USB 3.0, 9V power |
| | Speaker | 1 x Internal speakers (1.5W) |
| Audio | Audio Jack | 1 x Audio combo jack (combines stereo audio output and mono microphone input) |
| Camera | Front | 2 megapixel fixed-focus camera |
| | Rear | 5 megapixel auto-focus camera with LED flash |
| Sensors | | Ambient light sensor, e-compass, g-sensor, gyroscope |
| Control Buttons | | 1 x Power button, 2 x volume keys (up/down), 1 x programmable function key |
| System Indicators | | Full: green (100%); charging: blue; low charge: red (<10%) |
| Power System | Input Voltage | Micro USB: 5V/3A Dock pogo: 9V/2A |
| | Battery | Swappable battery: 4900 mAh (minimum) 18.6 WHr Operating time: up to 8 hrs* Charging time: < 3 hrs* |
| Environmental | Operating Temperature* | -10 ~ 50 °C/14 ~ 122 °F |
| | Storage Temperature | -20 ~ 60 °C/-4 ~ 140 °F |
| | IP Rating | IP65 |
| | Shock | Operating: SAE J1455 |
| | Vibration | SAE J1455 |
| | Humidity | Operating: 10 ~ 90% @ 40 °C/104 °F non-condensing Storage: -10 ~ 95% non-condensing |
| Physical Characteristics | Drop Tested | Up to 120 cm (4 ft) onto plywood |
| | Dimensions (W x D x H) | 240 x 142 x 14.5 mm/9.44 x 5.59 x 0.57 in |
| | Weight | 600 g/1.32 lb |
| Certifications | Color | Dark Gray |
| | | FCC, PTCRB, CE, CB, UL, TELEC, VCCI, BSMI, NCC, CCC, SRRC, RCM, IC, BIS |

*The battery operation duration and recharge time may vary according to different factors such as screen brightness, applications, features, power management, battery condition, and other configurable settings.

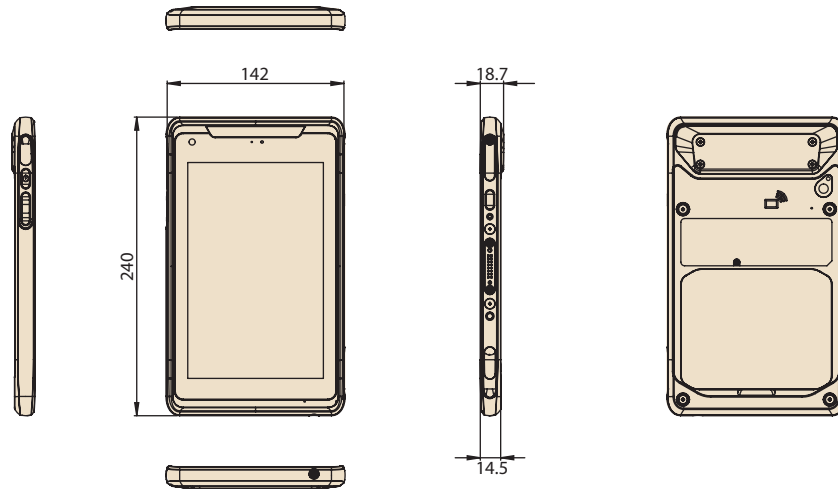
*Operating means the tablet is power on and operating

Specifications (Cont.)

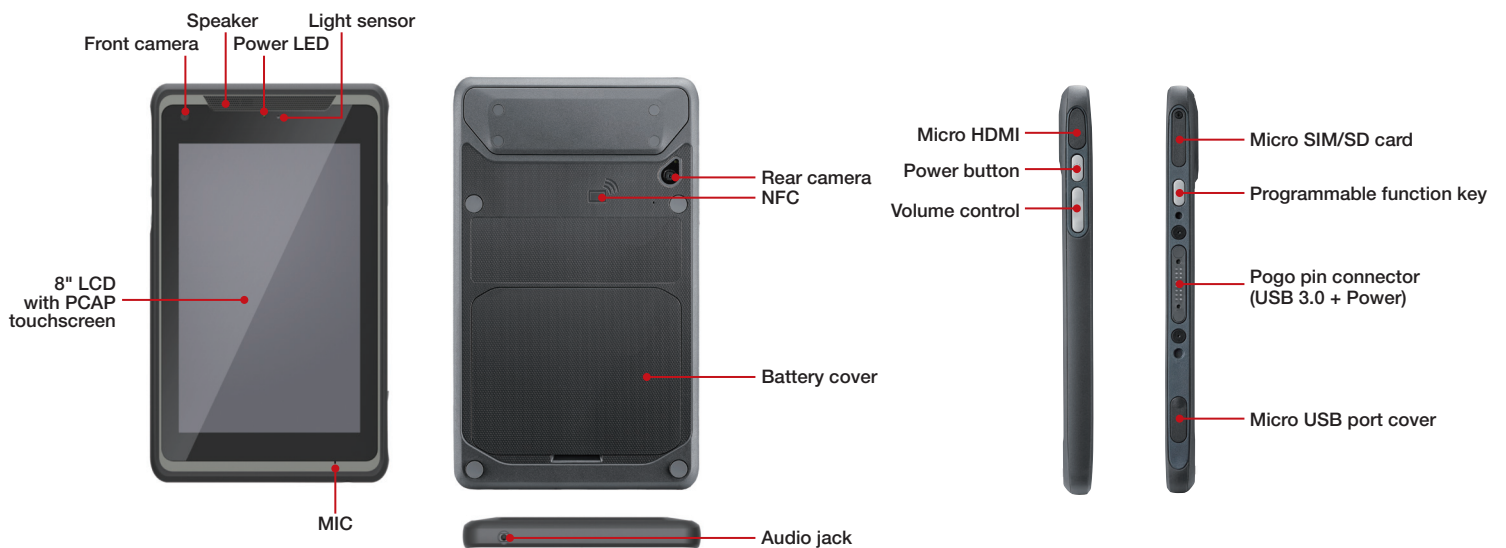
| | | | |
|---|------------------------------------|------------|------------------|
| DeviceOn/iService Remote Device Management | Operating System | Windows 10 | Android 6 |
| | Common Controls (Reboot, Shutdown) | ✓ | ✓ |
| | Remote desktop | ✓(VNC) | |
| | Device-Specific Controls | Audio | Audio, Backlight |
| | Connection Status | ✓ | ✓ |
| | Hardware Status | ✓* | ✓* |
| | Hard Disk Status | ✓* | |
| | Batch Operation Support | ✓ | ✓ |
| | OTA Storage Management | FTP | Local blob |
| | OTA Software Updates | ✓ | ✓ |
| | Software Watchlist | ✓ | ✓ |
| | Software Start/Stop | ✓* | ✓ |
| | Kiosk Mode | | ✓ |
| *Dependant on device model | Peripherals Watchlist | ✓* | ✓* |

Dimensions

Unit: mm



System I/O



Ordering Information

| Part Number | Description | Memory | Storage | NFC | Wi-Fi/BT | Configuration | | | F-Cam | R-Cam | OS |
|-------------------|------------------------|--------|---------|-----|----------------|---------------|-----|------|-------|---------------------------------|----|
| | | | | | | LTE | GPS | | | | |
| AIM-65AT-22307000 | 8I/4G/64G/WIN10/ac | 4 GB | 64 GB | Yes | Yes (Wi-Fi AC) | - | - | 2 MP | 5 MP | Win 10 IoT Enterprise 2016 LTSC | |
| AIM-65AT-24307000 | 8I/4G/64G/WIN10LTSC/ac | 4 GB | 64 GB | Yes | Yes (Wi-Fi AC) | - | - | 2 MP | 5 MP | Win 10 IoT Enterprise 2021 LTSC | |
| AIM-65AT-23307000 | 8I/4G/64G/A6.0/ac | 4 GB | 64 GB | Yes | Yes (Wi-Fi AC) | - | - | 2 MP | 5 MP | Android 6.0 | |

Optional Accessories

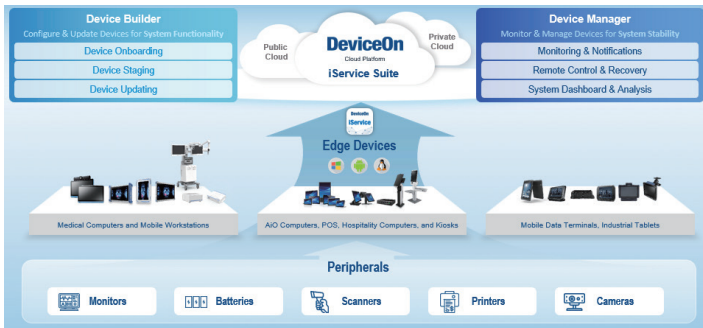
| Part Number | Description |
|-----------------|---|
| XAIM-A16-018N1A | ADP A/D 100-240V 18W 5V/9V DUAL MICRO USB |
| 1700001524 | Power cord (USA) UL 3P 10A 125V 183 cm |
| 1700008921 | Power cord (Japan) PSE 3P 7A 125V 183 cm |
| 1700019146 | Power cord (China) CCC 3P 10A 250V 183 cm |
| 1700018553 | Power cord (NZ/AU) SAA 3P 10A 250V 183 cm |
| 170203180A | Power cord (UK) BSI 3P 10A 250V 183 cm |
| 170203183C | Power cord (EU) 3P 2.5A 250V 183 cm |

Note: The above power cables are suitable for AIM-65, AIM-VSD, and AIM-MCS.

Packing List

| Description |
|-------------------|
| 1 x AIM-65 tablet |
| 1 x AC/DC adaptor |
| 1 x Power cord TW |

DeviceOn - iService Suite



Introduction

DeviceOn - iService Suite is an advanced remote device management solution that enables you to centrally manage your devices, minimizing the need for expensive on-site visits and saving your valuable time and resources. Device Builder ensures that your devices are always up-to-date with the latest configuration and software updates, reducing the risk of data breaches and other security threats. Meanwhile, Device Manager helps to ensure that your devices are functioning correctly, reducing downtime and enhancing productivity.

Key Functions

Device Builder



Device Onboarding

- Support Windows, Linux, Android devices
- Quick enrollment process



Device Staging

- OS configuration
- Software/peripheral watchlist
- Device label, alarm rules



Device Updating

- Cloud software storage
- Installation package for multiple software updating

Device Manager



Monitoring & Notifications

- Connection/hardware status
- Software/peripheral status
- Failure notifications



Remote Control & Recovery

- Reboot & power controls
- Audio & backlight settings
- Screenshots & remote desktop



System Dashboard

- Devices working status
- Software version sync status
- Results of scheduled tasks

Services & Specifications

| Functions List | OS Platform | | | Service Type | |
|--|-------------------------------|-----------|----------------|--------------|---------|
| | Windows | Android | Linux (Ubuntu) | Builder | Manager |
| | 10, 11 | 8, 10, 12 | TBD | | |
| Device Onboarding - Enrollment, Locations and Labels | ✓ | ✓ | | ✓ | ✓ |
| Profile - OS Settings (KIOSK Mode, On/Off Schedule, others are OS dependent) | ✓ (LTSC) | ✓ | | ✓ | ✓ |
| Profile - Alarm Rules, Software Monitoring, Peripheral Monitoring | ✓ | ✓ | | | ✓ |
| OTA Update - Installation Packs, Software Cloud Storage | ✓ | ✓ | | ✓ | ✓ |
| Monitoring - Device Hardware (CPU/RAM/Storage/Battery) | ✓ | ✓ | | | ✓ |
| Monitoring - Advanced Battery Management | ✓ (Dependant on device model) | | | | ✓ |
| Monitoring - Device Software (Running Status/CPU & Memory Usage) | ✓ | ✓ | | | ✓ |
| Monitoring - Peripherals & Display (Connect Status) | ✓ | | | | ✓ |
| Control - Audio volume & Backlight | ✓ | ✓ | | | ✓ |
| Control - Screenshot, Reboot, Shutdown | ✓ | ✓ | | | ✓ |
| Control - Schedule Tasks | ✓ | ✓ | | | ✓ |
| Control - Remote Desktop | VNC | | | | ✓ |

Ordering Information

| Ordering P/N | Cloud Type | Description |
|----------------|-------------------|---|
| 36CSDOISSASP01 | SaaS subscription | DeviceOn - iService Suite device annual fee (365 days) |
| 36CSDOISPSRP01 | On-premise server | DeviceOn - iService Suite device license (perpetual) |
| 36CSDOISPSRP02 | On-premise server | Software and installation fee for new server deployment |
| 36CSDOISPSRP03 | On-premise server | Annual maintenance fee after warranty |

Vehicle Docking Station



Features

- Compatible with 9 ~ 32 V_{DC} in-vehicle power supply
- Rapid single-handed docking and undocking
- Anti-theft locking mechanism
- External GPS antenna
- Programmable function keys
- High-density connector
- Compliant with SAE J1455 for vibration and shock tolerance
- Safe and reliable design for vehicle applications

CE FCC CCC

Specifications

| | | Fully Configured Unit | Charging Dock Only |
|---------------|--------------------------|---|--------------------|
| I/O | High-Density Connector | 1 x CAN bus (supports raw CAN, J1939, OBD-II/ISO 15765) with configurable firmware | |
| | | 5 x Digital inputs | |
| | | 1 x Odometer (supports dry and wet contact) with configurable and switchable firmware (default wet contact) | |
| | | 2 x Digital outputs (supports speed pulse) | N/A |
| | | 1 x RS-232 (4 wire) | |
| | | 1 x RS-232/485 (2 wire) (default RS-485, termination enabled) | |
| | | 1 x USB 2.0 | |
| | | 1 x Power output 12V 1A | |
| GPS | Extended GPS | 1 x External GPS antenna | N/A |
| Function Keys | | 5 x Programmable function keys | N/A |
| Key Lock | | Anti-theft key lock (key can be removed) | N/A |
| Power | Input Voltage | Supports 12/24 V vehicle power (9 ~ 32 V _{DC} input range) | |
| Mechanical | Dimensions (W x D x H) | 196 x 76.9 x 212.75 mm/7.71 x 3.02 x 8.37 in | |
| | Weight | 0.5 kg/1.10 lb | |
| Environmental | Operating Temperature | -10 ~ 50 °C/14 ~ 122 °F (0 ~ 40 °C/32 ~ 104 °F when charging) | |
| | Storage Temperature | -30 ~ 80 °C/-22 ~ 176 °F | |
| | IP Rating | IP54 | |
| | Vibration/Shock | SAE J1455 | |
| | Safety | UL, CB, LVD, CCC | |
| | Vehicle Power Regulation | E-Mark, ISO7637-2 | |
| | Certifications | CE, FCC, CCC | |

Ordering Information

| Part Number | Description |
|------------------|--|
| AIM-VEH7-0000 | AIM vehicle docking station (advanced I/O) |
| AIM-VEH7-0010 | AIM vehicle docking station (power only) |
| 1700026766-01 | High-density cable |
| PWS-770-GPSAN00E | External GPS antenna |
| 1700027666-01 | Vehicle power cable (In-house engineer testing only) |
| 1700027665-01 | Vehicle power cable (vehicle battery) |

Packing List

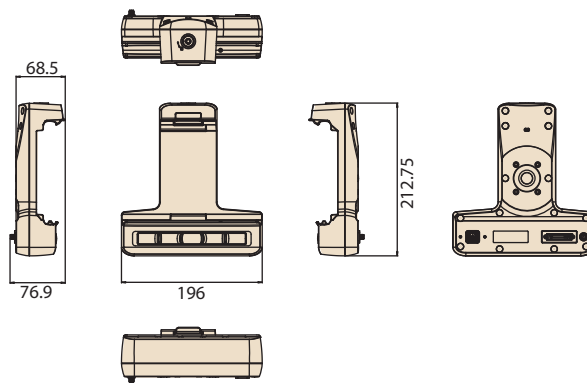
| Item | AIM-VEH7-0000 | AIM-VEH7-0010 |
|------|---|---|
| 1 | 1 x Vehicle dock (advanced I/O) | 1 x Vehicle dock (power only) |
| 2 | 1 x Vehicle power cable (vehicle battery) | 1 x Vehicle power cable (vehicle battery) |

Optional Accessory

| Part Number | Description |
|---------------|-----------------------------------|
| RAM-MOUNT-07E | AMPS mount w/VESA base, 1.5" ball |

Dimensions

Unit: mm



Office / VESA Docking Station



Features

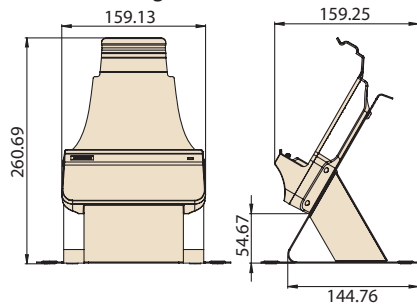
- 9 ~ 32 V wide input voltage range
- VESA (75 x 75 mm) compliant docking stations
- -10 ~ 50 °C/14 ~ 122 °F operating temperature
- Reliable docking connector for diverse applications

Specifications

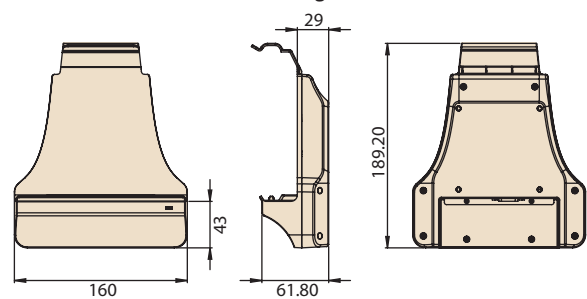
| | | Office Docking Station (full I/O configuration) | Office Docking Station (basic configuration) | VESA Docking Station (full I/O configuration) | VESA Docking Station (USB) |
|---------------|------------------------|--|--|--|--|
| I/O | | 2 x USB 3.0 1 x RS-232 COM 1 x Gigabit LAN 1 x Power jack | 2 x USB 2.0 1 x Power jack | 2 x USB 3.0 1 x RS-232 COM 1 x Gigabit LAN 1 x Power jack | 2 x USB 2.0 1 x Power jack |
| Stand | | SECC steel | SECC steel | N/A | N/A |
| Power | Input Voltage | 9 ~ 32 V | 19 V | 9 ~ 32 V | 19 V |
| Mechanical | Dimensions (W x D x H) | 215 x 174.29 x 260.69 mm/ 8.5 x 6.9 x 10.3 in | 215 x 174.29 x 260.69 mm/ 8.5 x 6.9 x 10.3 in | 160 x 61.8 x 189.2 mm/ 6.3 x 2.4 x 7.4 in | 160 x 61.8 x 189.2 mm/ 6.3 x 2.4 x 7.4 in |
| | Weight | 0.75 kg/1.65 lb | 0.748 kg/1.64 lb | 0.282 kg/0.62 lb | 0.28 kg/0.61 lb |
| Environmental | Operating Temperature | -10 ~ 50 °C/14 ~ 122 °F | | | |
| | Storage Temperature | -20 ~ 70 °C/-4 ~ 158 °F | | | |
| | Safety | UL, CB, LVD, CCC | | | |
| | Certifications | CE, FCC, CCC | | | |

Dimensions

Office Docking Station



VESA Advanced/Basic Docking Station



Unit: mm

Ordering Information

| Part Number | Description |
|---------------|--|
| AIM-OFD0-0170 | AIM 8 advanced office docking station (full I/O configuration) |
| AIM-OFD0-0171 | AIM 8 office docking station (USB) |
| AIM-VSD0-0170 | AIM 8 advanced VESA docking station (Full I/O configuration) |
| AIM-VSD0-0171 | AIM 8 VESA docking station with USB (USB) |
| AIM-STD0-0000 | AIM 8 VESA stand |

Optional Accessories

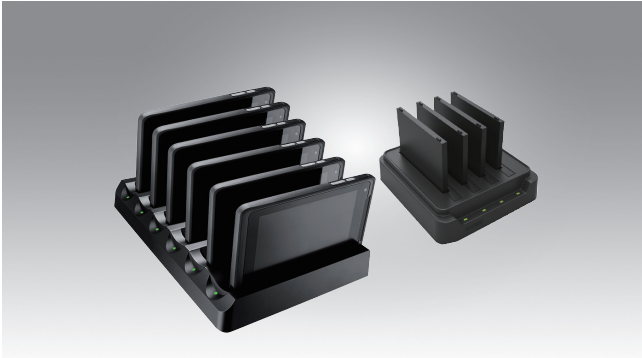
| Part Number | Description |
|------------------|--|
| 96PSA-A65W19V1-3 | ADP A/D 100-240V 65W 19V C6 DC PLUG 180° 62368 |
| 1700001524 | Power cord (USA) UL 3P 10A 125V 183 cm |
| 1700008921 | Power cord (Japan) PSE 3P 7A 125V 183 cm |
| 1700019146 | Power cord (China) CCC 3P 10A 250V 183 cm |
| 1700018553 | Power cord (NZ/AU) SAA 3P 10A 250V 183 cm |
| 170203180A | Power cord (UK) BSI 3P 10A 250V 183 cm |
| 170203183C | Power cord (EU) 3P 2.5A 250V 183 cm |

Packing List

| Item | AIM-OFD0-0170 | AIM-OFD0-0171 |
|------|--|-----------------------|
| 1 | 1 x Office dock (full I/O configuration) | 1 x Office dock (USB) |
| 2 | 1 x AC/DC adaptor | 1 x AC/DC adaptor |
| Item | AIM-VSD0-0170 | AIM-VSD0-0171 |
| 1 | 1 x VESA dock (full I/O configuration) | 1 x VESA dock (USB) |
| 2 | 1 x AC/DC adaptor | 1 x AC/DC adaptor |

Note: This product does not include a power cable. Please order a power cable using the part number according to your usage requirements.

AIM Multi-Bay Charging Station



Features

- Can charge up to 6 tablets/4 batteries simultaneously
- Overcurrent and overvoltage protection provided
- Rapid single-handed docking and undocking
- LED indicators for monitoring charging status



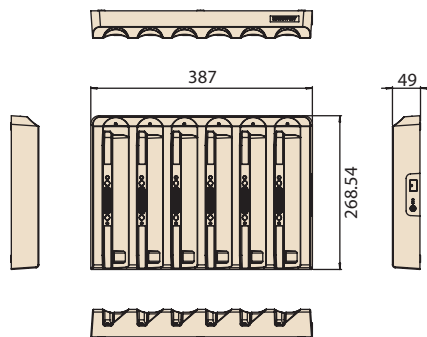
Specifications

| | | Multi-Tablet Charging Station | Multi-Battery Charging Station |
|----------------|------------------------|--|--|
| Capacity | Number of Bays | 6 | 4 |
| | Charging Current | 2A | 2.5A |
| Power | Charging Voltage | 9 V | 4.35 V |
| | Input Voltage | 19 V | 19 V |
| LED Indicators | | Green: Full Amber: Charging Red: Error | Green: Full Amber: Charging Red: Error |
| Mechanical | Dimensions (W x D x H) | 387 x 269 x 49 mm/15.23 x 10.59 x 1.92 in | 144 x 155 x 39 mm/5.66 x 6.10 x 1.53 in |
| | Weight | 1.98 kg/4.36 lb | 0.48 kg/1.05 lb |
| Environmental | Operating Temperature | 0 ~ 40 °C/32 ~ 104 °F | 0 ~ 40 °C/32 ~ 104 °F |
| | Storage Temperature | -10 ~ 50 °C/14 ~ 122 °F | -10 ~ 50 °C/14 ~ 122 °F |
| | Safety | UL, CB, LVD, CCC, RCM | UL, CB, LVD, CCC, RCM |
| | Certifications | CE, FCC, CCC, RCM, BSMI | CE, FCC, CCC, RCM, BSMI |

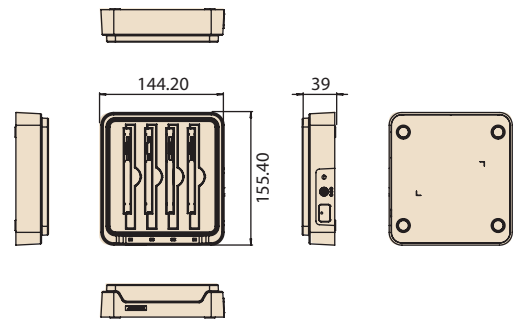
Dimensions

Unit: mm

Multi-Tablet Charging Station



Multi-Battery Charging Station



Ordering Information

| Part Number | Description |
|---------------|--|
| AIM-CHGO-0150 | Multi-tablet charging station for AIM |
| AIM-MBCO-0051 | Multi-battery charging station for AIM |

Packing List

| Item | AIM-MBCO-0051 |
|------|------------------------------------|
| 1 | 1 x Multi-battery charging station |
| 2 | 1 x AC/DC adaptor |

Note: This product does not include a power cable. Please order a power cable using the part number according to your usage requirements.

Optional Adapter

| Model | Adapter Part Number | Description |
|---------------|---------------------|--|
| AIM-CHGO-0150 | XAIM-GST120A20-P1M | ADP A/D 100-240V 120W 20V DC Plug |
| AIM-MBCO-0051 | 96PSA-A65W19V1-3 | ADP A/D 100-240V 65W 19V DC C6 PLUG 180° 62368 |

AIM-CHGO-0150 Optional Power Cable

| PN | Description |
|---------------|--|
| 1702002600-01 | Power Cord (US) UL 3P 10A 125V 183cm |
| 1700000237-01 | Power Cord (Japan) PSE 3P 12A 125V 183cm |
| 1700009652 | Power Cord (China) CCC 3P 10A 250V 187cm |
| 1702031836 | Power Cord (NZ/AU)SAA 3P 10A 250V 183cm |
| 1700018704 | Power Cord (UK)BSI 3P 10A 250V 180cm |
| 1702002605-01 | Power Cord (EU) 3P 10A 250V 183cm |

AIM-MCBO-0051 Optional Power Cable

| Part Number | Description |
|-------------|---|
| 1700001524 | Power cord (USA) UL 3P 10A 125V 183 cm |
| 1700008921 | Power cord (Japan) PSE 3P 7A 125V 183 cm |
| 1700019146 | Power cord (China) CCC 3P 10A 250V 183 cm |
| 1700018553 | Power cord (NZ/AU) SAA 3P 10A 250V 183 cm |
| 170203180A | Power cord (UK) BSI 3P 10A 250V 183 cm |
| 170203183C | Power cord (EU) 3P 2.5A 250V 183 cm |

Peripherals and Accessories

Extension Modules

Barcode scanner (20°)



Barcode scanner (70°)



MSR + barcode scanner module



MSR module



| Part Number | AIM-EXT0-0040 | AIM-EXT0-0041 | AIM-P521A0 | AIM-P521B0 |
|-------------------|--|--|--|---|
| Features | <ul style="list-style-type: none"> Sensor: 640 x 480 CMOS sensor Illumination/Aimer: white LED illumination/red LED dot aimer Frame rate: 30 fps Field of view: horizontal: 37.8°; vertical: 28.8° | <ul style="list-style-type: none"> Sensor: 640 x 480 CMOS sensor Illumination/Aimer: white LED illumination/red LED dot aimer Frame rate: 30 fps Field of view: horizontal: 37.8°; vertical: 28.8° | <p>MSR</p> <ul style="list-style-type: none"> Swipe Speed: 3 ~ 75 in/sec Supported Format: ISO 7811/ JIS II bi-directional swipe <p>Barcode Scanner</p> <ul style="list-style-type: none"> Sensor: 640 x 480 CMOS sensor Illumination/Aimer: white LED illumination/red LED dot aimer Frame rate: 30 fps Field of view: horizontal: 37.8°; vertical: 28.8° | <ul style="list-style-type: none"> Swipe Speed: 3 ~ 75 in/sec Supported Format: ISO 7811/ JIS II bi-directional swipe |
| Dimensions | 130.2 x 38.7 x 27.8 mm/ 5.12 x 1.52 x 1.09 in | 130.2 x 38.7 x 32 mm/ 5.12 x 1.52 x 1.25 in | 130.2 x 68.84 x 80 mm/ 5.12 x 2.71 x 3.15 in | 130.2 x 68.84 x 80 mm/ 5.12 x 2.71 x 3.15 in |
| Weight | 0.042 kg/0.092 lb | 0.042 kg/0.092 lb | 100 g/0.22 lb | 82 g/0.18 lb |

LAN + COM module



LAN RJ-45 module



UHF RFID reader



UHF RFID reader



UHF RFID reader (flat type)



| Part Number | AIM-EXT0-0046 | AIM-P531A0 | AIM-EXT0-0047 | AIM-EXT0-0049 | AIM-EXT0-0050 |
|-------------------|--|---|--|--|--|
| Features | 1 x 10/100 Ethernet port 1 x COM port | 1 x 10/100 Ethernet port | <ul style="list-style-type: none"> RFID output: 25W Antenna type: Linear polarization Frequency: EU: 867 ~ 869 MHz Supported tag standard: EPC Class 2, Gen. 2/ ISO 18000-6C | <ul style="list-style-type: none"> RFID output: 25W Antenna type: Linear polarization Frequency: US: 913 ~ 917 MHz Supported tag standard: EPC Class 2, Gen. 2/ ISO 18000-6C | <ul style="list-style-type: none"> RFID output: 25W Antenna type: Linear polarization Frequency: EU: 867 ~ 869 MHz Supported tag standard: EPC Class 2, Gen. 2/ ISO 18000-6C |
| Dimensions | 130.2 x 70 x 29 mm/ 5.12 x 2.75 x 1.14 in | 130 x 38.7 x 31 mm 5.12 x 1.52 x 1.22 in | 130.2 x 63.8 x 79.40 mm/ 5.12 x 2.5 x 3.13 in | 130.2 x 63.8 x 79.40 mm/ 5.12 x 2.5 x 3.13 in | 130.2 x 110.75 x 82.51 mm/ 5.12 x 4.35 x 3.25 in |
| Weight | 0.078 kg/0.171 lb | 0.044 kg / 0.097 lb | 0.08 kg/0.176 lb | 0.08 kg/0.176 lb | 160 g/0.352 lb |

Basic Docking Station

Simple charger



| | |
|--------------------|---|
| Part Number | AIM-P508B0 |
| Features | 1 x DC IN (DC Jack with 12V/3A input) 2 x USB 3.0 Type A 1 x COM Port (RS232) 1 x RJ45 Package include Adapter. PN: 96PSA-A65W19V1-3 Package exclude Power Cord. PN: refer to page 3 |
| Dimensions | 180 x 140 x 120 mm/7.08 x 5.51 x 4.72 in |
| Weight | 450 g/0.99 lb |

Accessories

Hand strap



Stylus holder

Shoulder strap



360° rotatable hand strap



AIM8" rugged case



| Part Number | AIM-SRP0-0000 | AIM-SRP0-0001 | AIM-SRP0-0004 | AIM-SRP0-0005 |
|-------------------|--------------------------------------|--|---|---|
| Features | 1 x Black strap 1 x Stylus holder | 1 x Black strap 1 x Stylus holder | 1 x Black strap that supports 360° rotation | 1 x Black rugged case Enhance drop tolerance to 1.8M |
| Dimensions | 240 x 20 mm/ 9.44 x 0.78 in | 380 x 135 x 20 mm/ 14.96 x 5.31 x 0.78 in | 160 x 160 mm/ 6.3 x 6.3 in | 244.08 x 149.2 x 20.59mm / 9.6 x 5.87 x 0.81 in |
| Weight | 0.022 kg/0.048 lb | 0.05 kg/0.11 lb | 158 g/0.35 lb | 57g /0.125 lb |

Battery with meter



Active stylus



AIM8 AG+AR screen protection film



Holster



| Part Number | AIM-BAT0-0252 | AIM-P704 | AIM-EXT0-0181 | AIM-HOLO-0160 |
|-------------------|--|---------------------------------|---|--|
| Features | 1 x Black battery | 1 x Black stylus pen | Surface Hardness: 2 ~ 3H Reflection Rate: 0.15% Haze: 15% | 1 x Black holster |
| Dimensions | 98 x 84.5 x 6.5 mm/ 3.85 x 3.32 x 0.25 in | 140 x 9.7 mm/ 5.51 x 0.38 in | 212 x 128 x 0.15 mm/ 8.35 x 5.04 x 0.006 in | 250 x 150 x 30 mm/ 9.84 x 5.9 x 1.18 in |
| Weight | 0.104 kg/0.229 lb | 0.02 kg/0.044 lb | 0.009 kg/0.02 lb | 0.23 kg/0.5 lb |