

# RuggedClient-BYT

TOUCH SCREEN, ANTI-SPRAY

---



## 12.1" / 15" / 17" / 21.5" INDUSTRIAL TOUCH PANEL PC WITH INTEL® CELERON® J1900 PROCESSOR

- ▶ 1x HDMI, 1x VGA for display output
- ▶ 2x GbE LAN for Ethernet
- ▶ 1x USB 3.0, 4x USB 2.0, 2x RS232/422/485 for peripherals
- ▶ 1x 2.5" SATA HDD / SSD, 1x mSATA for storage
- ▶ 1x mPCIe for expansion

# RuggedClient-BYT

## 12.1" / 15" / 17" / 21.5" INDUSTRIAL TOUCH PANEL PC WITH INTEL® CELERON® J1900 PROCESSOR

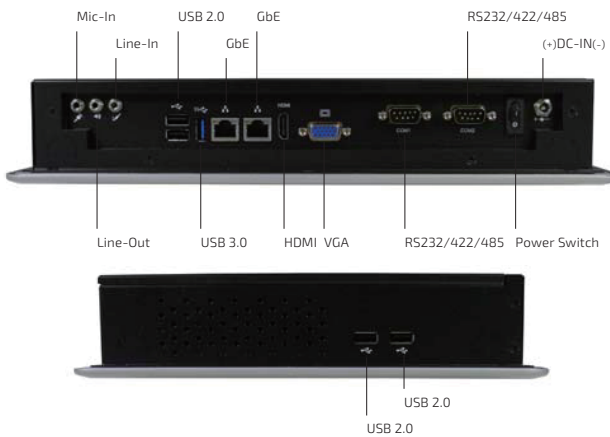
RuggedClient-BYT Panel PCs are supporting Intel® Celeron® J1900 Processor. Featured are DDR3L SO-DIMM , Storage includes a 2.5" SATA hard drive or a solid-state drive (SSD), and mSATA memory slot. Supported interfaces include 2x GbE LAN, 2x RS232/422/485, 1x USB 3.0, 4x USB 2.0, 1x HDMI and 1x VGA, thus easily meeting a broad range of customer requirements.

The RuggedClient-BYT provides a friendly human-machine interface with shock, vibration and temperature resistance. In addition, the IP65-rated front design also makes it resistant against water spray and dust infiltration from the front side.

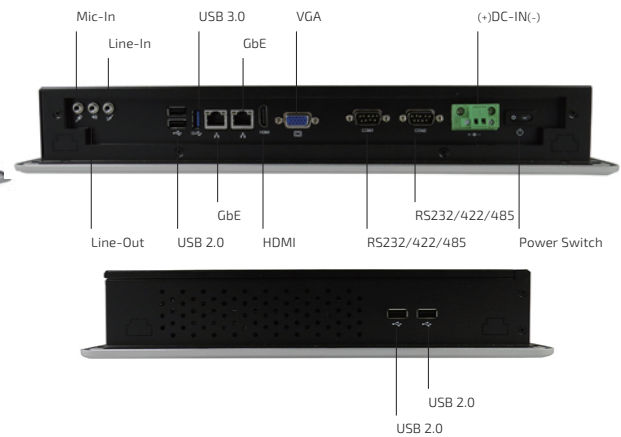
### ▶ PRODUCT HIGHLIGHTS

- ▶ 12.1" ~ 21.5" 5-wire resistive single touch LCD display
- ▶ Intel® Atom® Celeron® J1900 processor
- ▶ 1x DDR3L SO-DIMM memory socket
- ▶ 1x HDMI, 1x VGA for second monitor support
- ▶ 2x GbE LAN for Ethernet
- ▶ 1x USB 3.0, 4x USB 2.0 for USB device connection
- ▶ 2x RS232/422/485 for serial device connection
- ▶ 1x 2.5" SATA HDD / SSD, 1x mSATA for storage
- ▶ 1x mPCIe for expansion
- ▶ IP65 front design

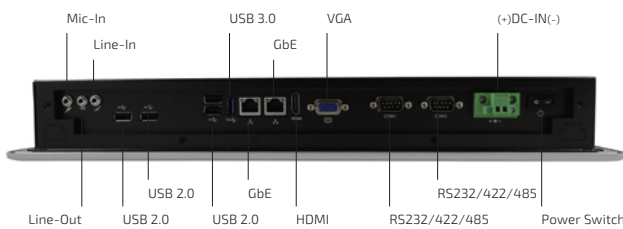
#### ▶ 12.1" Model I/O Ports



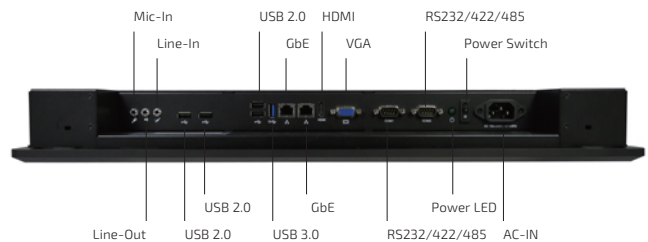
#### ▶ 15" Model I/O Ports



#### ▶ 17" Model I/O Ports



#### ▶ 21.5" Model I/O Ports



#### ▶ 12.1" / 15" / 17" Model Front View

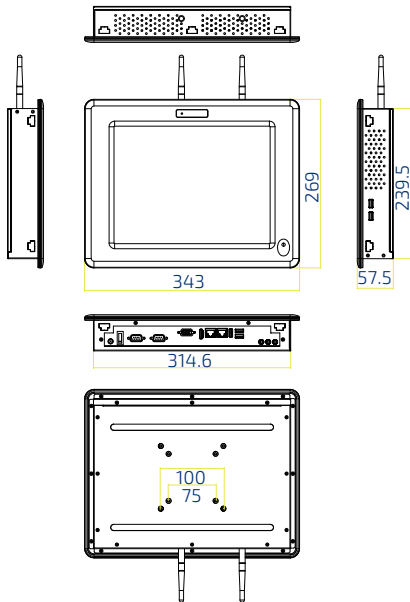


#### ▶ 21.5" Model Front View

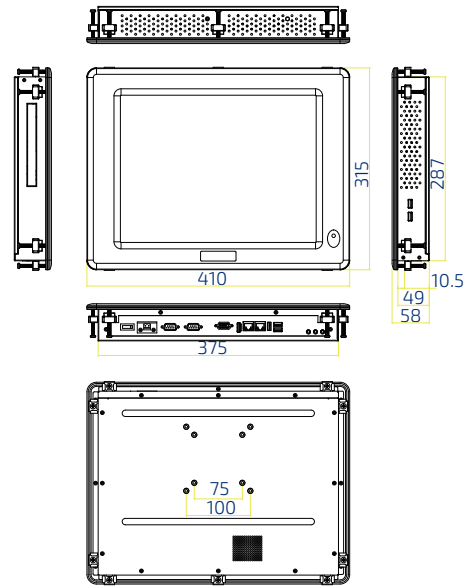


## MECHANICAL DIMENSIONS

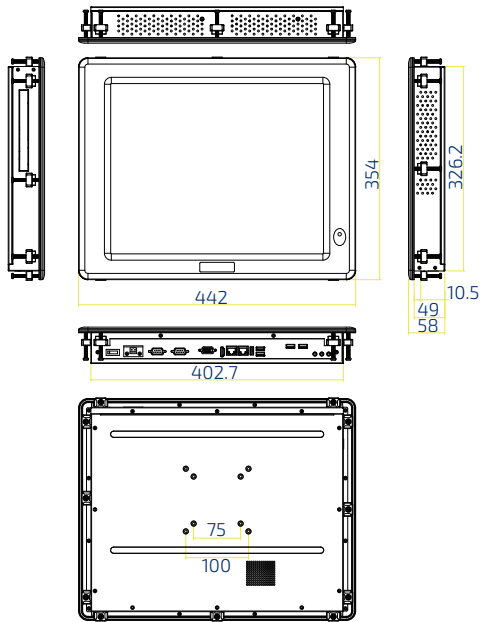
### ▶ 12.1" Model



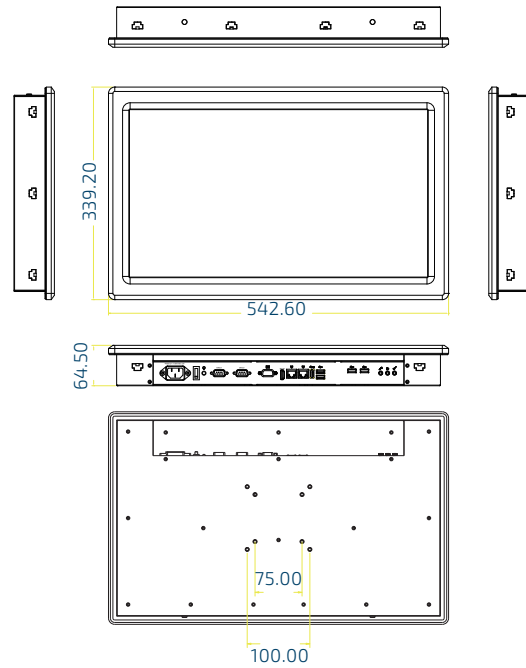
### ▶ 15" Model



### ▶ 17" Model



### ▶ 21.5" Model



unit: mm

► TECHNICAL INFORMATION

<b>SYSTEM</b>	<b>PROCESSOR</b>	Intel® Celeron® J1900 (Quad Core, 2M Cache, up to 2.42 GHz, FCBGA1170, 10 W TDP)			
	<b>MEMORY</b>	1x DDR3L 1333 SO-DIMM up to 8 GByte			
<b>VIDEO</b>	<b>GRAPHICS</b>	Intel® HD Graphics			
	<b>DISPLAY SIZE</b>	12.1 inch	15 inch	17 inch	21.5 inch
	<b>ASPECT RATIO</b>	4:3	4:3	5:4	16:9
	<b>BACKLIGHT</b>	LED	LED	LED	LED
	<b>RESOLUTION</b>	1024 x 768 XGA	1024 x 768 XGA	1280 x 1024 SXGA	1920 x 1080 Full HD
	<b>BRIGHTNESS (cd/m<sup>2</sup>, typ.)</b>	500	350	350	250
	<b>CONTRAST RATIO (typ.)</b>	1000:1	600:1	1000:1	5000:1
	<b>COLOR</b>	16.2M, 262K	16.2M	16.2M	16.7M
	<b>VIEWING ANGLE (L/R/H/L)</b>	80°/80°/80°/80°	85°/85°/80°/80°	85°/85°/80°/80°	89°/89°/89°/89°
	<b>TOUCH</b>	5-wire resistive			
	<b>DISPLAY INTERFACE</b>	1x HDMI (on rear, 1920 x 1080 @ 60 Hz)			
		1x VGA (on rear, 2560 x 1600 @ 60 Hz)			
	<b>MULTIPLE DISPLAY</b>	Dual			
<b>AUDIO</b>	<b>AUDIO CODEC</b>	Realtek ALC662			
	<b>AUDIO INTERFACE</b>	2x Speaker-out (3 W) 1x Line-in (on rear) 1x Line-out (on rear) 1x Mic-in (on rear)			
<b>NETWORK CONNECTION</b>	<b>ETHERNET</b>	2x GbE LAN (RJ45 on rear, 1x Intel® I210-AT, 1x Realtek RTL8111G)			
<b>PERIPHERAL CONNECTION</b>	<b>USB</b>	1x USB 3.0 (Type A on rear)			
		4x USB 2.0 (Type A, 12.1" & 15": 2x on rear + 2x on right, 17" & 21.5": 4x on rear)			
	<b>SERIAL PORT</b>	2x RS232/422/485 (DB9 on rear)			
<b>STORAGE &amp; EXPANSION</b>	<b>SATA</b>	1x 2.5" SATA 2.0 HDD / SSD			
	<b>mSATA</b>	1x mSATA (full size)			
	<b>mPCIe</b>	1x mPCIe (full size)			
	<b>SIM CARD HOLDER</b>	1x SIM Cage (optional)			
<b>POWER</b>	<b>INPUT VOLTAGE</b>	DC 12 V	DC 12 V	DC 12 V	AC 100 V ~ 240 V
	<b>CONNECTOR</b>	Lockable DC jack	Phoenix Conn.	Phoenix Conn.	C14 AC Connector
<b>FIRMWARE</b>	<b>BIOS</b>	AMI uEFI BIOS w/ 64 Mb SPI Flash			
	<b>WATCHDOG</b>	Programmable WDT to generate system reset event			
	<b>H/W MONITOR</b>	Voltages, Temperatures			
	<b>REAL TIME CLOCK</b>	SoC integrated RTC			
<b>SYSTEM CONTROL &amp; MONITORING</b>	<b>BUTTON, SWITCH &amp; INDICATOR</b>	1x Power Switch (on rear) 1x Power LED (21.5" model on rear, other on on front)			
<b>COOLING</b>	<b>COOLING METHOD</b>	Passive			
<b>SOFTWARE</b>	<b>OS SUPPORT</b>	Windows 7, Windows 8, Windows 10			
<b>MECHANICAL</b>	<b>CONSTRUCTION</b>	Metal Chassis + Aluminum Front Bezel			
	<b>DIMENSION - W</b>	343 mm (13.50")	410 mm (16.14")	442 mm (17.40")	542.6 mm (21.36")
	<b>DIMENSION - H</b>	269 mm (10.59")	315 mm (12.40")	354 mm (13.94")	339.2 mm (13.35")
	<b>DIMENSION - D</b>	58 mm (2.28")	58 mm (2.28")	58 mm (2.28")	64.5 mm (2.54")
	<b>WEIGHT</b>	3,400 g (7.50 lb)	TBD	TBD	7,600 g (16.76 lb)
	<b>MOUNTING</b>	Panel Mount, VESA Mount			
<b>ENVIRONMENTAL</b>	<b>OPERATING TEMPERATURE</b>	0 °C ~ 50 °C / 32 °F ~ 122 °F			
	<b>STORAGE TEMPERATURE</b>	-20 °C ~ 70 °C / -4 °F ~ 158 °F			
	<b>HUMIDITY</b>	0 % ~ 95 %			
<b>CERTIFICATION</b>	<b>EMC &amp; SAFETY</b>	CE Class A, FCC Class A			
	<b>INGRESS PROTECTION</b>	IP65 (front)			

## ▶ ORDERING INFORMATION

ARTICLE	DESCRIPTION
<b>RuggedClient-BYTJ-121-R</b>	12.1" 4:3 display, Intel® Celeron® J1900
<b>RuggedClient-BYTJ-150-R</b>	15" 4:3 display, Intel® Celeron® J1900
<b>RuggedClient-BYTJ-170-R</b>	17" 5:4 display, Intel® Celeron® J1900
<b>RuggedClient-BYTJ-215-R</b>	21.5" 16:9 display, Intel® Celeron® J1900

### ACCESSORIES

<b>POWER ADAPTER</b>	Input: AC 100 V ~ 240 V, Output: DC 12 V, w/ DC plug (for 12.1" models)
<b>POWER ADAPTER</b>	Input: AC 100 V ~ 240 V, Output: DC 12 V, w/ 2-pin terminal block (for 15" & 17" models)
<b>POWER CORD</b>	EU / US / UK / JP / CN / AU type depending on country
<b>VESA MOUNTING KIT *</b>	Hole pattern: 100 mm x 100 mm & 75 mm x 75 mm, dimension: 163 mm x 130 mm

The asterisk (\*) means optional item.